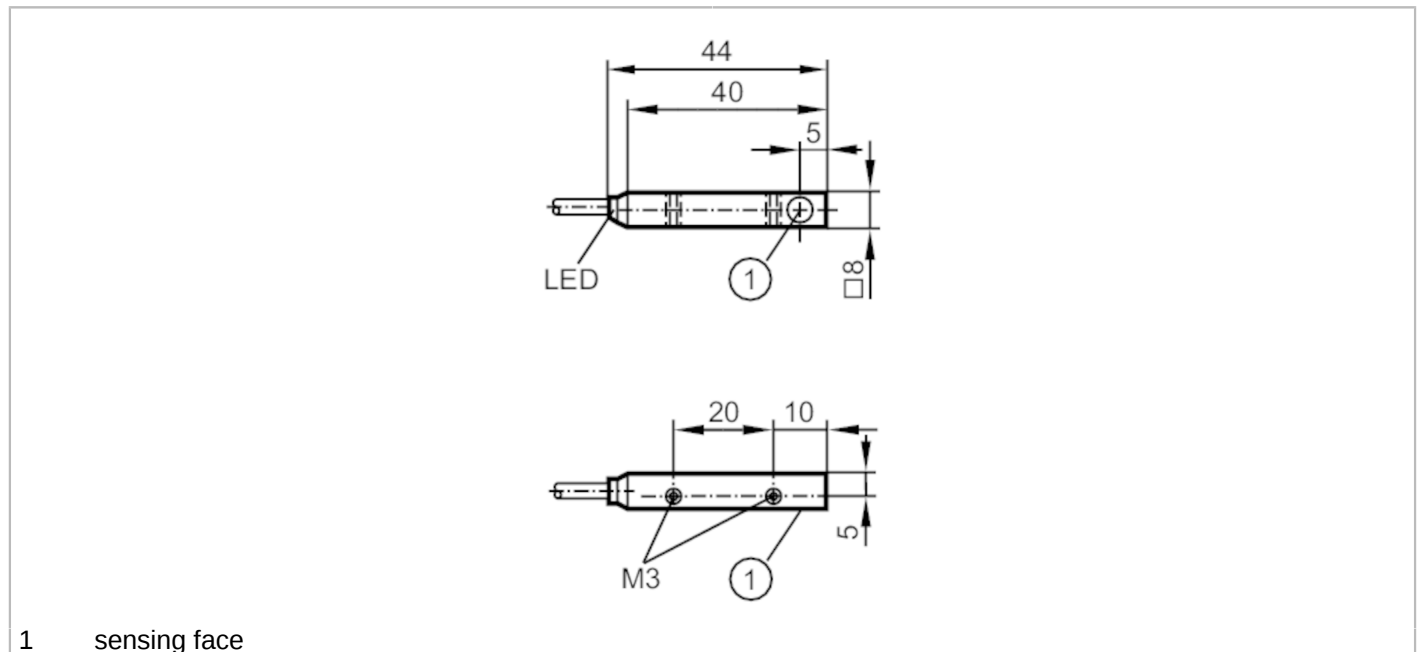


# IL5002



## Inductive sensor

ILA3002-BPKG/OBEN/PH RT



Product characteristics	
Electrical design	PNP
Output function	normally open
Sensing range [mm]	2
Housing	rectangular
Dimensions [mm]	40 x 8 x 8
Electrical data	
Operating voltage [V]	10...36 DC
Current consumption [mA]	15; (24 V)
Protection class	III
Reverse polarity protection	yes
Outputs	
Electrical design	PNP
Output function	normally open
Max. voltage drop switching output DC [V]	2.5
Permanent current rating of switching output DC [mA]	250
Switching frequency DC [Hz]	2000
Short-circuit protection	yes
Type of short-circuit protection	yes (non-latching)
Overload protection	yes

# IL5002



## Inductive sensor

ILA3002-BPKG/OBEN/PH RT

Monitoring range		
Sensing range	[mm]	2
Real sensing range Sr	[mm]	2 ± 10 %
Operating distance	[mm]	0...1.6
Accuracy / deviations		
Correction factor		steel: 1 / stainless steel: 0.7 / brass: 0.5 / aluminum: 0.4 / copper: 0.3
Hysteresis	[% of Sr]	1...15
Switch-point drift	[% of Sr]	-10...10
Operating conditions		
Ambient temperature	[°C]	-25...70
Protection		IP 65
Tests / approvals		
EMC		EN 60947-5-2
MTTF	[years]	3449
UL approval	Ta	-25...70 °C
	Enclosure type	Type 1
	voltage supply	Limited Voltage/Current
	File number UL	E174191
Mechanical data		
Weight	[g]	42
Housing		rectangular
Mounting		flush mountable
Dimensions	[mm]	40 x 8 x 8
Material		brass white bronze coated; sensing face: LCP
Tightening torque	[Nm]	1; (insertion depth: > 5 mm)
Displays / operating elements		
Display	Switching status	1 x LED, red
Remarks		
Pack quantity		1 pcs.

# IL5002



## Inductive sensor

ILA3002-BPKG/OBEN/PH RT

### Electrical connection

Cable: 2 m, PUR; 3 x 0.14 mm<sup>2</sup>

### Connection



Core colors :

BN = brown  
BU = blue  
BK = black